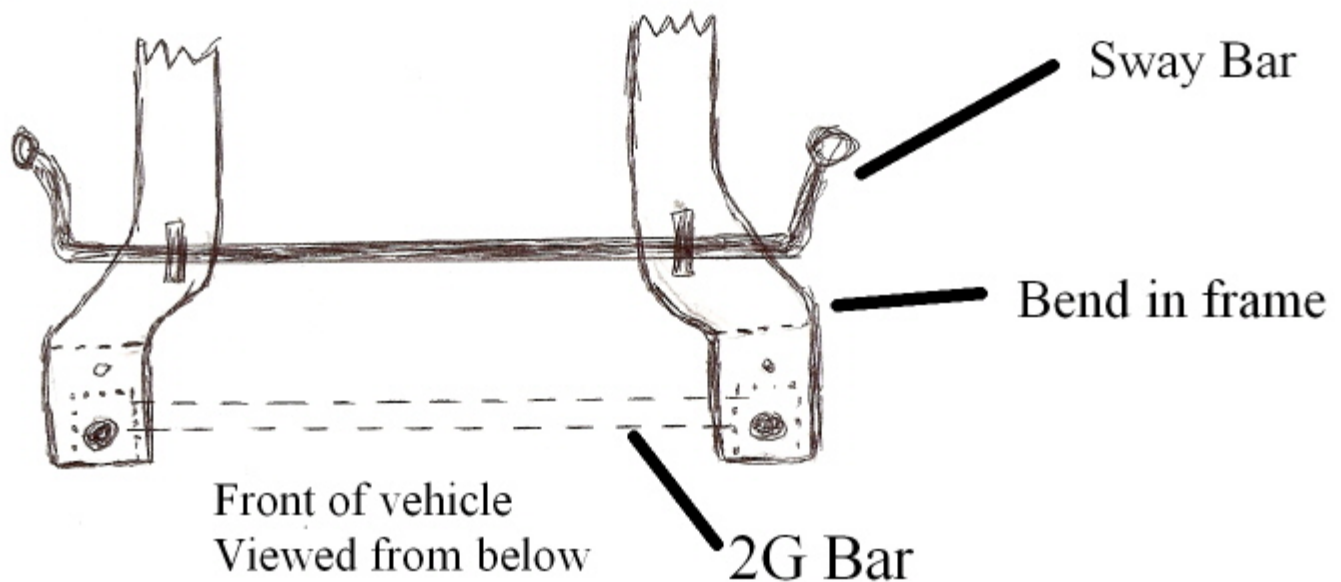




Keith Smith
2961 Hwy 32 #40
Chico, Ca. 95926

(530)864-5846

2G Bar Installation Guide 70-81 Camaro/Firebird



2G Bar is designed to be mounted at the front most part of frame horns to help resist any deflection caused by heavy cornering loads. The location will vary by year, and model due to variances in bracketry and accesories. Hold bar in place and determine best location. Some models will require the bar to be placed far enough back to require the mounting plate of the 2G bar to be bent slightly to fit the contour of the frame. For best results bar should be welded in place, but attaching with (4) 5/16" gr8 bolts at each corner of mounting plate will be sufficeint. **Note that bar may cover access to front body bushing bolt, in most cases bolt can still be accessed from the side. Mounting holes must be drilled in plate and frame, if bar is placed over larger hole in frame be sure and support nut with a backing washer.